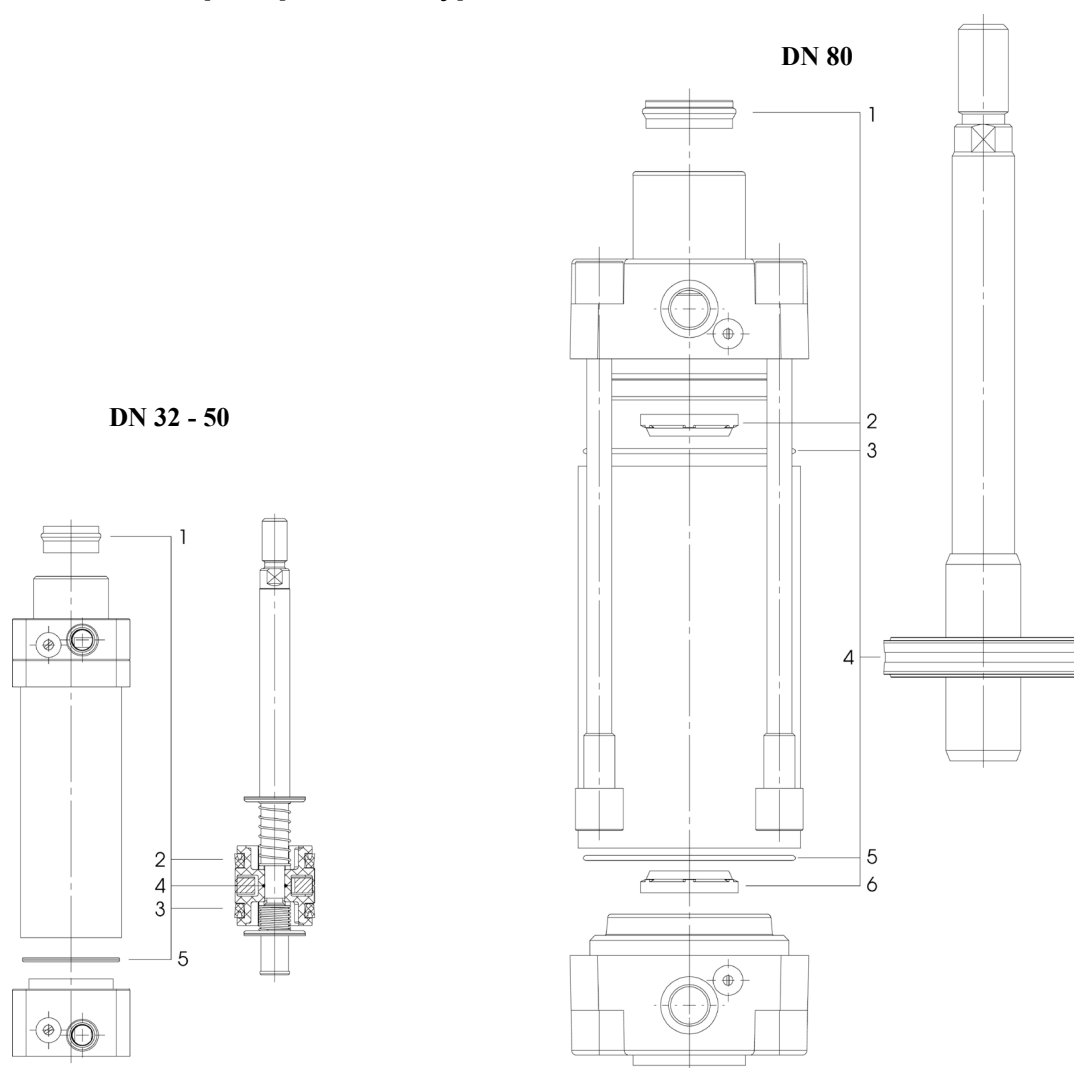


Spare part sets, type 1102/1110/1120



Spare part sets, type 1102/1110/1120 CETOP / DIN ISO 15552

Sealing material/type Sealing material	Nominal diameter			
	DN32	DN40	DN50	DN80
NBR 1102	P1001726	P1001738	P1001739	-----
FPM 1102 /1110	P1002544	P1002545	P1002546	P1002547
TPU 1110/1120	P1002548	P1002549	P1002550	P1002551

Connecting thread of piston rod and compressed air connection

DN	32	40	50	80
Typ/Type 1102 / 1110 / 1120 (CETOP/ISO)	M10x1.25	M12x1.25	M16x1.5	M20x1.5
Druckluftanschlüsse / compressed air connection	G 1/8	G 1/4	G1/4	G 3/8